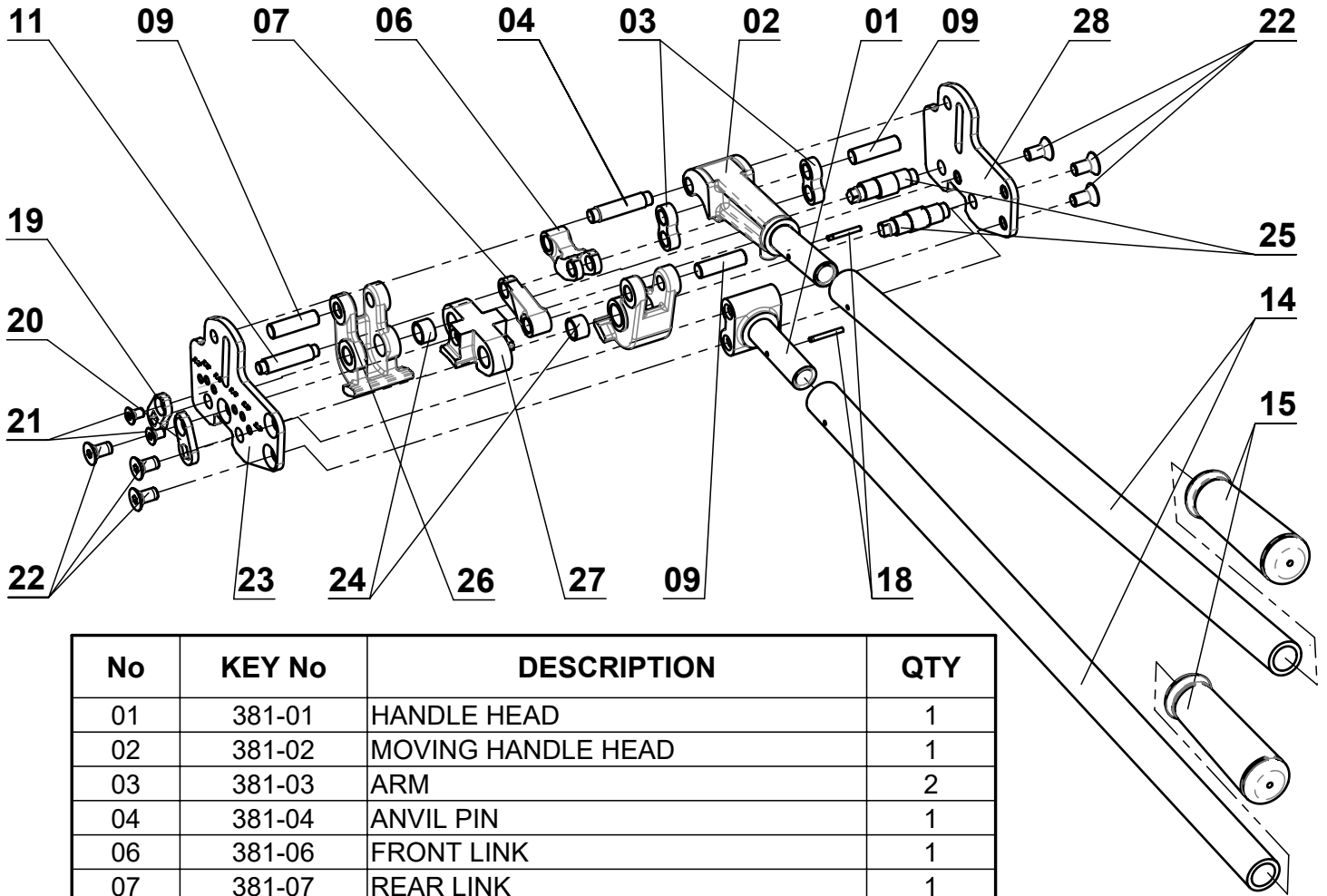


# MUL-381

Heavy Duty 19 mm (3/4")  
PET Sealer



No	KEY No	DESCRIPTION	QTY
01	381-01	HANDLE HEAD	1
02	381-02	MOVING HANDLE HEAD	1
03	381-03	ARM	2
04	381-04	ANVIL PIN	1
06	381-06	FRONT LINK	1
07	381-07	REAR LINK	1
09	381-09	JAW PIN	3
11	381-11	SLIDE PIN	1
14	381-14	HANDLE LEVER	2
15	381-15	HANDLE GRIP	2
18	381-18	SPRING PIN 3x25	2
19	381-19	ADJUSTMENT PLATE LEFT	1
20	381-20	ADJUSTMENT PLATE RIGHT	1
21	381-21	SCREW M6x10	2
22	381-22	SCREW M8x16	6
23	381-23	PLATE LEFT	1
24	381-24	BUSHING	2
25	381-25	ANVIL PIN	2
26	381-26	ANVIL	2
27	381-27	ANVIL	1
28	381-28	PLATE RIGHT	1