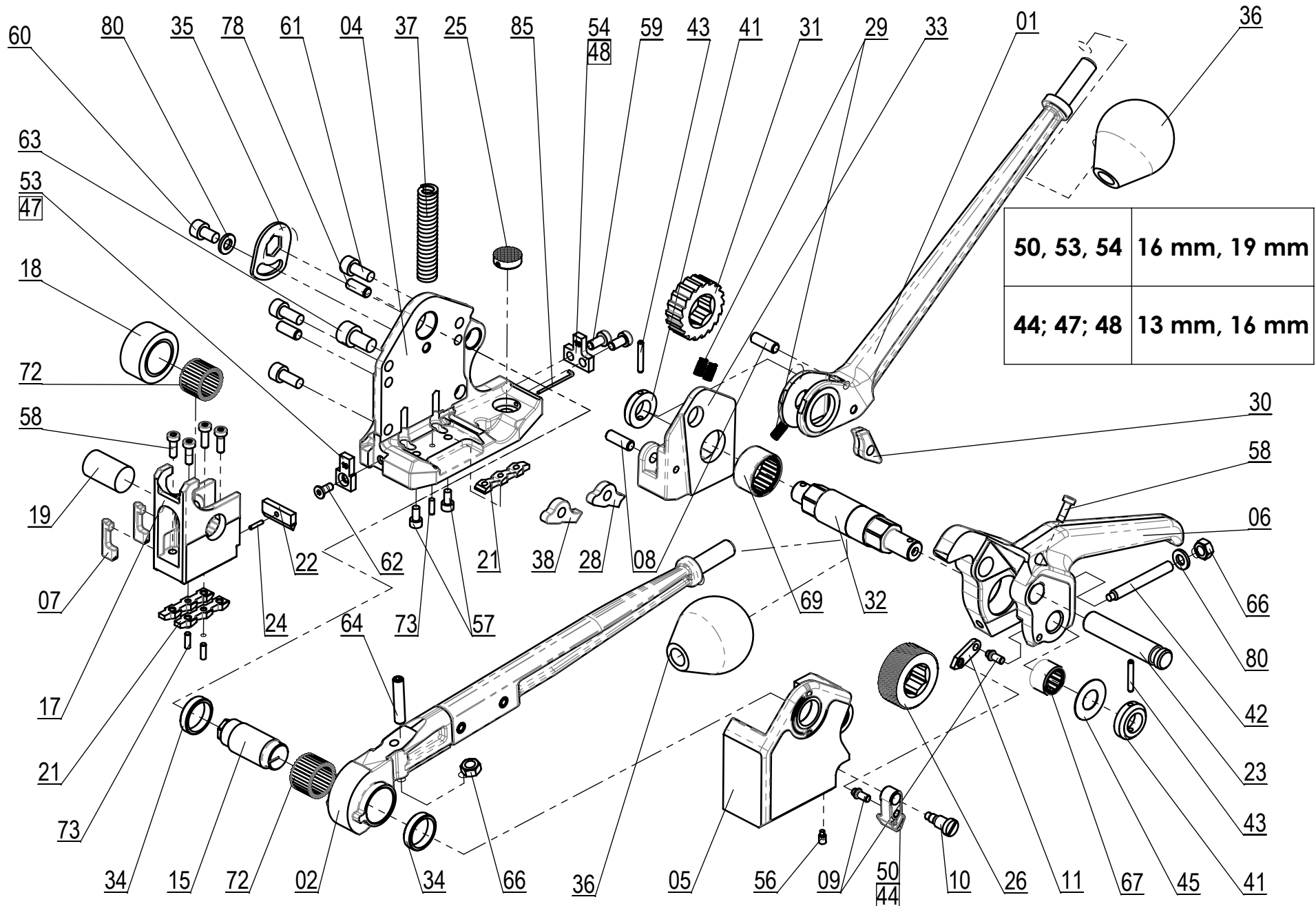


MUL-16

Sealless Combination Tool for Steel Strapping



MUL-16 PART LIST

Sealless Combination Tool for Steel Strapping

No	KEYNo	DESCRIPTION	QTY.
01	16-01	TENSION HANDLE	1
02	16-02	SEALING HANDLE	1
04	16-04	FRAME	1
05	16-05	SIDE COVER	1
06	16-06	HANDLE	1
07	16-07	STRAP LIFTER	2
08	16-08	PAWL SHAFT	2
09	16-09	GUIDE ARM PIN	2
10	16-10	SHOULDERED SCREW	1
11	16-11	GUIDE ARM	1
15	16-15	EXCENTRIC SHAFT	1
17	16-17	DIE HOLDER	1
18	16-18	CAM FOLLOWER	1
19	16-19	DIE HOLDER SHAFT	1
21	16-21	DIE	3
22	16-22	CUTTER BLADE	1
23	16-23	FEED WHEEL SUPPORT SHAFT	1
24	16-24	ROLL PIN 2x9.8	1
25	16-25	CLUTCH PLUG (BOTTOM GRIPPER)	1
26	16-26	FEED WHEEL	1
28	16-28	RETAINING PAWL , SHORT	1
29	16-29	PAWL SPRING	3
30	16-30	HANDLE PAWL	1
31	16-31	RATCHET WHEEL	1
32	16-32	FEED WHEEL SHAFT	1
33	16-33	PAWL HOLDER	1
34	16-34	RING	2
35	16-35	ADJUSTMENT PLATE	1
36	16-36	KNOB	2
37	16-37	FEED WHEEL SUPPORT SPRING	1
38	16-38	RETAINING PAWL, LONG	1
41	16-41	WASHER	2
42	16-42	ADJUSTMENT SCREW	1
43	16-43	PIN 3x22	2
44	16-44	STRAP GUIDE PAWL, 13 – 16	1
45	16-45	WASHER	1
47	16-47	STRAP GUIDE, FRONT, 13 – 16	1
48	16-48	STRAP GUIDE, REAR, 13- 16	1
50	16-50	Strap Guide 16 – 19	1
53	16-53	STRAP GUIDE, FRONT, 16 – 19	1
54	16-54	STRAP GUIDE, REAR, 16- 19	1
56	16-56	RETENTION SCREW M4x8	1
57	15-57	SCREW M4x8	2
58	16-58	SCREW M4x12	5
59	16-59	SCREW M5x10	2
60	16-60	SCREW M6x10	1
61	16-61	SCREW M6x14	3
62	16-62	SCREW M4x10	1
63	16-63	SCREW M8x14	1
64	16-64	SCREW M6x30	1
66	16-66	NUT M6	2
67	16-67	SMALL BEARING	1
69	16-69	LARGE BEARING	1
72	16-72	SUPPORT ROLLER 2x15.8	59
73	16-73	DOWEL PIN 3x10	3
78	16-78	ROLL PIN 6x16	2
80	16-80	WASHER	2
85	16-85	RETAINING WIRE	1